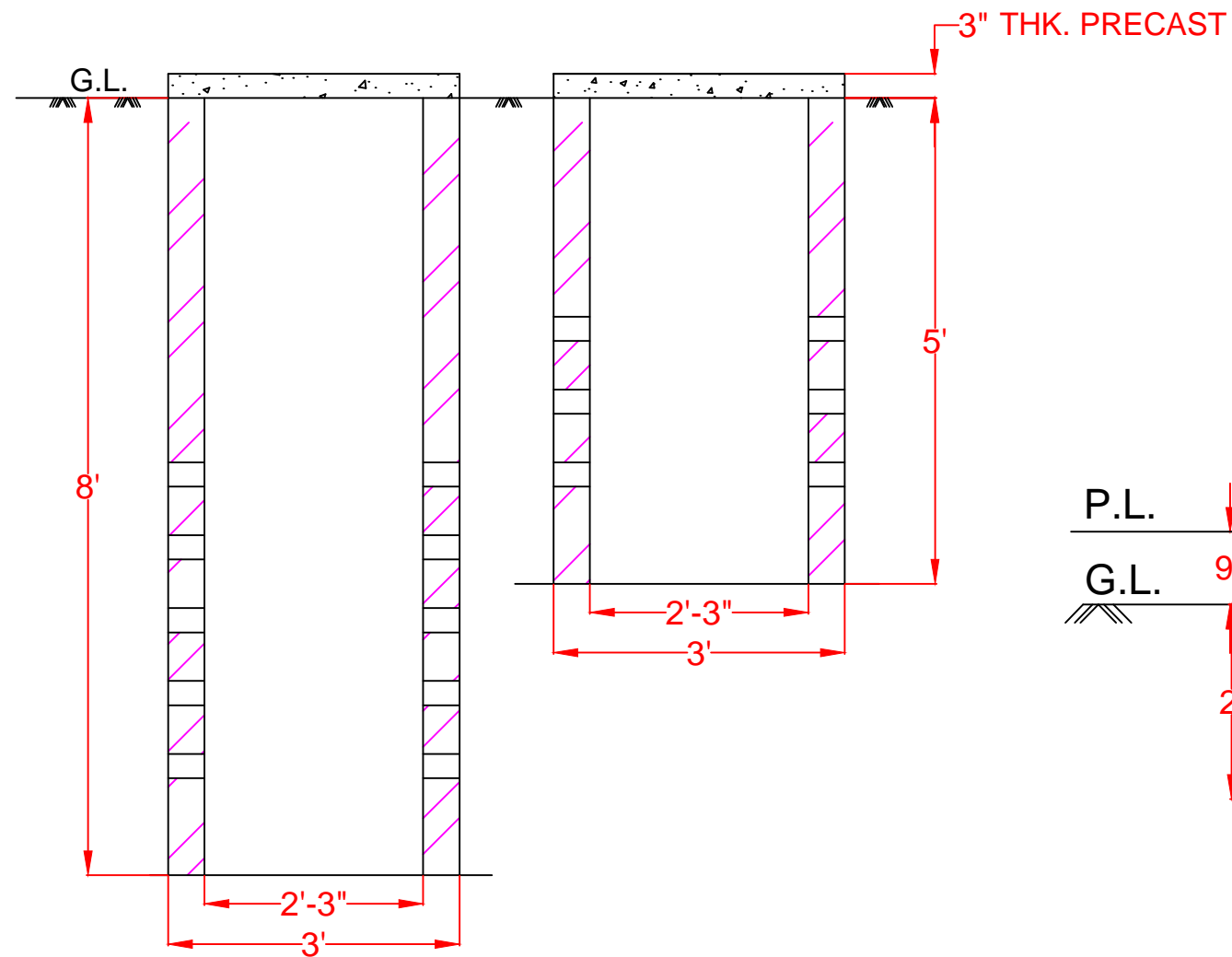
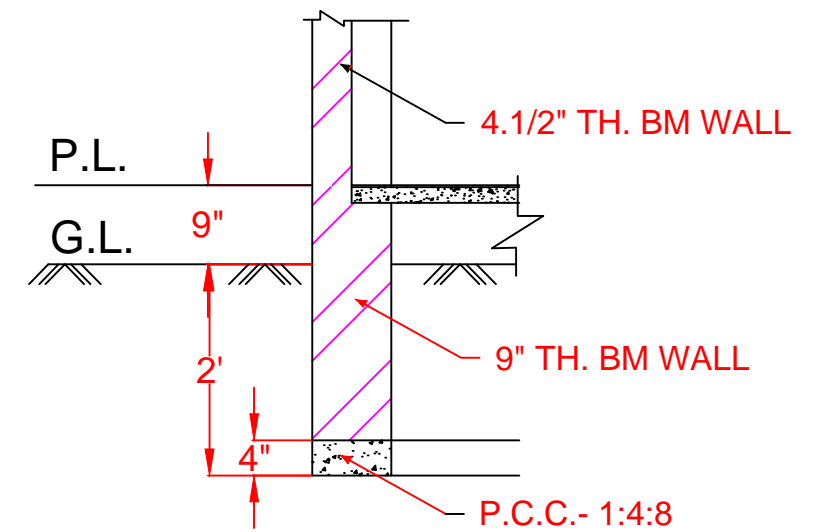


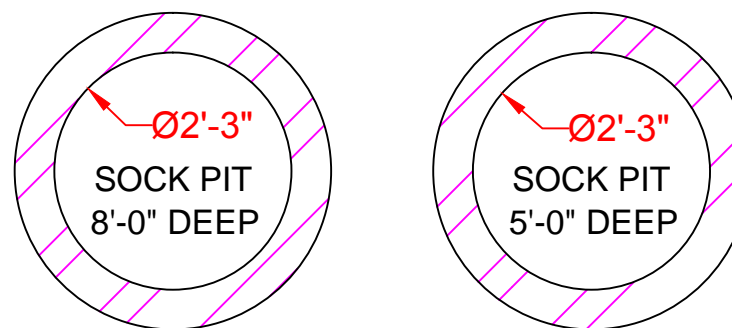
**TOILET BLOCK  
WORKING PLAN**



**SOCK PIT- SECTION**



**TOILET BLOCK  
FOUNDATION DETAIL**



**SOCK PIT- PLAN**

NAME OF WORK :- TOILET UNIT  
DRAWING :- 2/2



M/S. :- GNFC LTD.